



Thermex
Xantus (Pro)
Conventional Combi Boiler

THERMEX'S VISION

Thermex is one of the world's leading specialist manufacturers of boiler, electric storage water heater, thermo-boiler and instant water heater.

Thermex, since founding in 1949 has always improved its technology to higher levels and has reached to top quality level for electric water heaters field where Thermex is a specialist. However, not having been contended with its level, the Company pursues its activities by increasingly improving on technology, quality level and product development.

Thermex added its wall hung combination boiler manufacturing plant in Izmir, Turkey in the second half of 2019 to its already operating Russia, Ukraine and China plants, thus speeds forward to access its growth targets by accomplished the first step of its investment initiative in Turkey.



Thermex Plant, Izmir - Turkey



Thermex Russia Plant



Thermex is a World Brand!

70 years

of experience in water heating appliances



60.000 m²

production and warehouse area



90%

percentage of full automation in technologic processes



Thermex China Plant

Thermex Philosophy

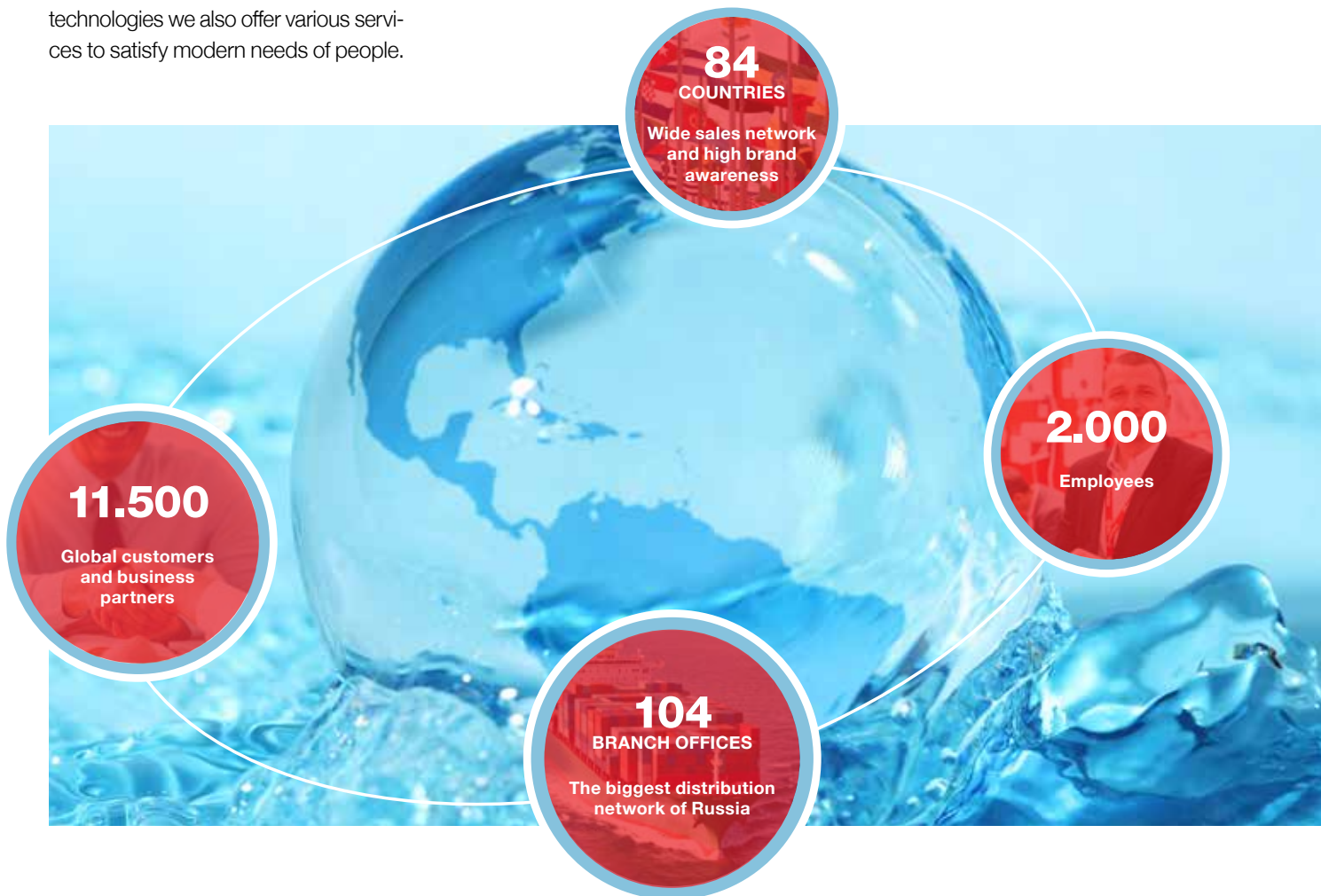
Our philosophy is to produce environment friendly, economic and healthy appliances to provide hot water for both individual and industrial needs. Along with producing advanced and modern technologies we also offer various services to satisfy modern needs of people.

Our Values

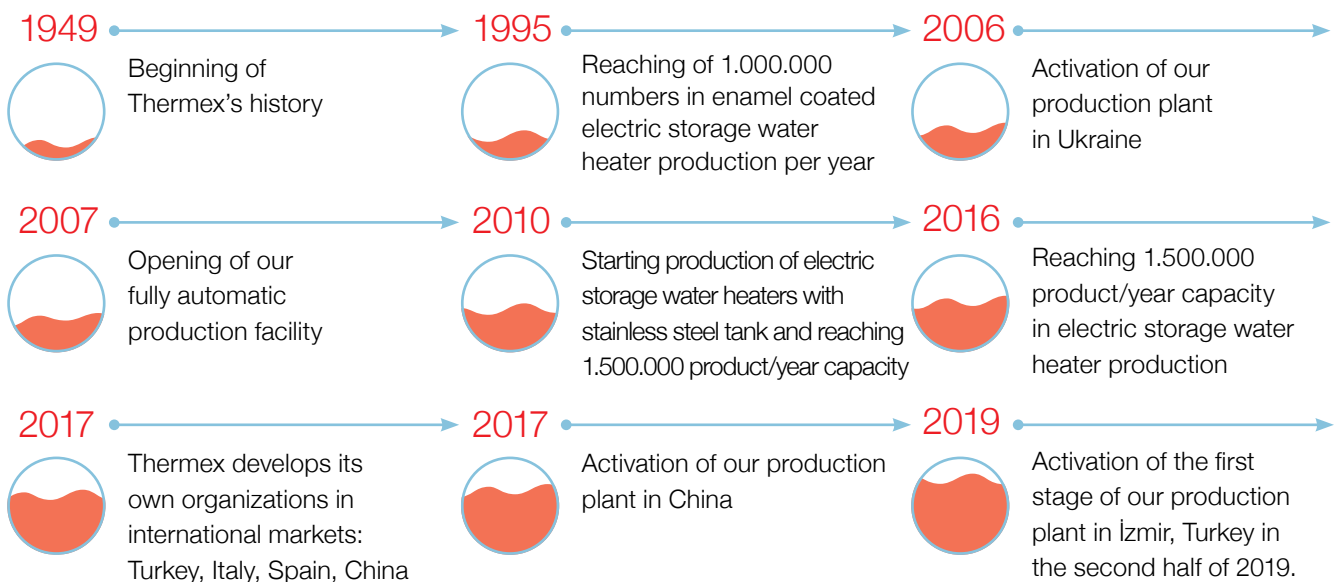
Developing, producing new and modern products we furnish your house with warm and comfort, and help to improve your living quality.

Our Mission

To continue producing advanced, modern, compact and environment friendly products to satisfy the current and possible future needs and comforts of people.



History and Achievements of Thermex



Thermex Xantus (Pro)

Conventional Combi Boiler

Advanced Features

- High efficiency up to %91,2,
- With 2 different capacity of 24 kW and 28 kW, possibility of using various areas and places,
- Hermetic type,
- All components used in the product are top quality products in their field and supplied from European suppliers,
- 2 star combustion performans according to 92/42 EEC and high efficiency up to 91,2,
- Strong circulation pump with 3 speeds,
- Stainless steel burner,
- High modulating range with combined gas valve with wide modulating range,
- Aesthetic outlook with modern design,
- High DHW volume with stainless steel plate heat exchanger for hot water production (for DHW),
- Electronic ignition system and microprocessor main board
- Quite operating feature,
- Providing easy in assembly and service application with compact dimensions,
- Smart fault diagnostics, fault correction and warning system,
- Easy to use with specially designed control panel with ergonomic digital display and knobs,
- Possibility to connect room thermostats,
- Double heat exchanger system; copper main heat exchanger + stainless steel heat exchanger for domestic hot water,
- Low combustion and emission with large modulating system by electronic card,
- Has got protection system with 13 superior safety system.

Advance Safety Systems

- Ignition and flame safety,
- Air safety system (with APS),
- Automatic air discharge purger,
- Low voltage protection,
- Frost protection,
- Pump anti-blocking protection,
- 3-way valve anti-blocking protection,
- 3-bar safety valver,
- Low water pressure switch,
- Hot water temperature sensor,
- Overheating safety system for heating,
- Domestic Hot Water (DHW) Flow Sensor,
- Expansion vessel.

MODERN AND
AESTHETIC
DESIGN





High Saving



Fault Diagnostics



Easy Installation



Digital Display



Quiet Operation



Compact Dimensions



Anti-Freezing

Excellent Heat Transfer With Copper Heat Exchanger (CH):

High efficiency durable, heat resisted, copper heat exchanger for central heating system.

Stainless Steel Heat Exchanger for DHW: Provides high flow ratio with own plate design.

Stainless Steel Burner: Stainless steel burner has high combustion efficiency and low gas emissions.

Sanitary Water (DHW) Heat Exchanger: Stainless steel plate heat exchanger and brass hydraulic block are used to produce the hot water demands.

High Efficiency: Provides %91,2 efficiency, low emission and low noise levels with perfect harmony of Polidoro burner and Valmex heat exchanger.

User Friendly Digital Control Panel: Ensures the user to see many operating parameters through digital display, easy to use.

Expansion Vessel: Compensates the expansion of the hot water circulated in the central heating circuit. All capacities use the same, 8 liter, closed expansion vessel.

Compact Dimension: It fits even in narrow area with its compact, W: 399 mm, D: 335 mm, H: 710 mm

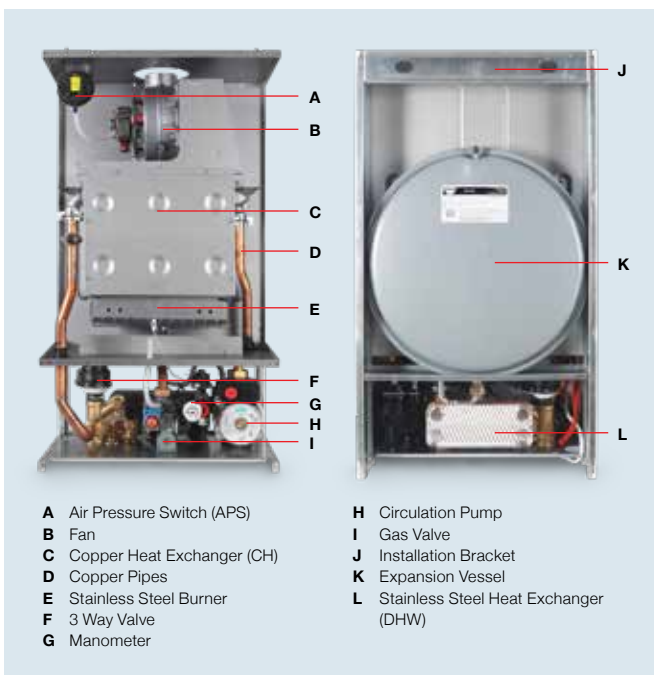
Digital Display: Shows many parameters and user can follow and see many details over the display.



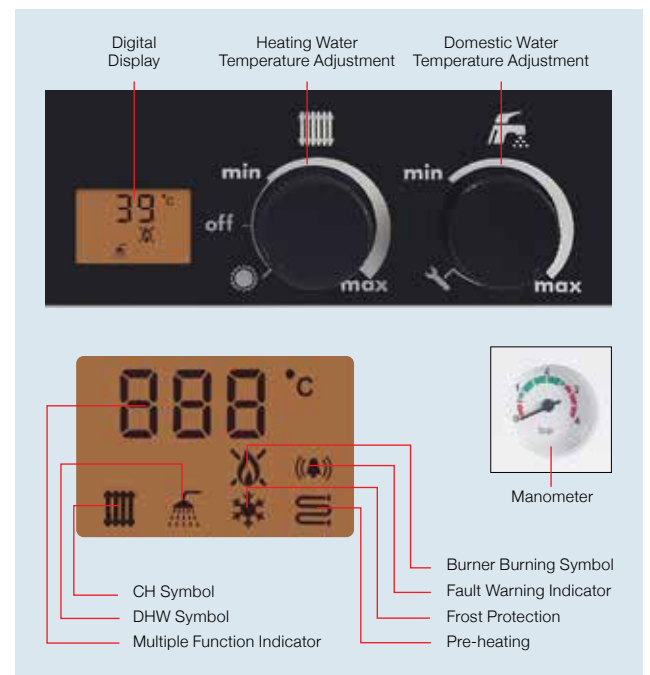
User Friendly Control Panels

Thermex Xantus (Pro) boilers are equipped with easy to use control panel. The control panel has a 1,3" digital display where many data of the boiler can be monitored. With the 2 knobs located on the control panel, sanitary hot water and central heating temperature adjustment as well as service parameter adjustments are possible. Further a manometer on the control panel provides monitoring of central heating circuit water pressure.

High Quality Product Components

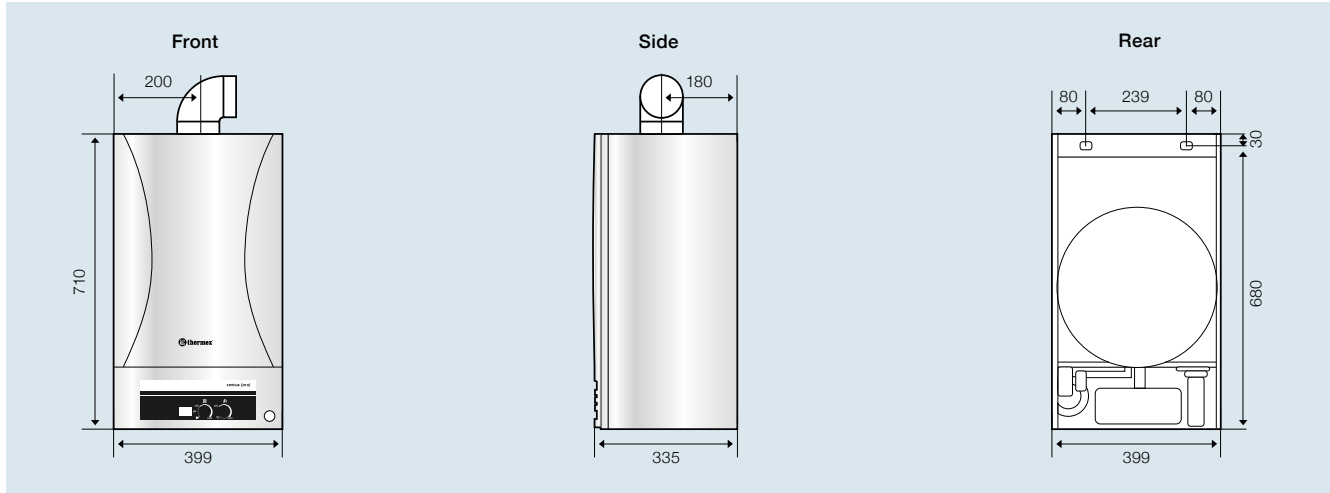


Control Board

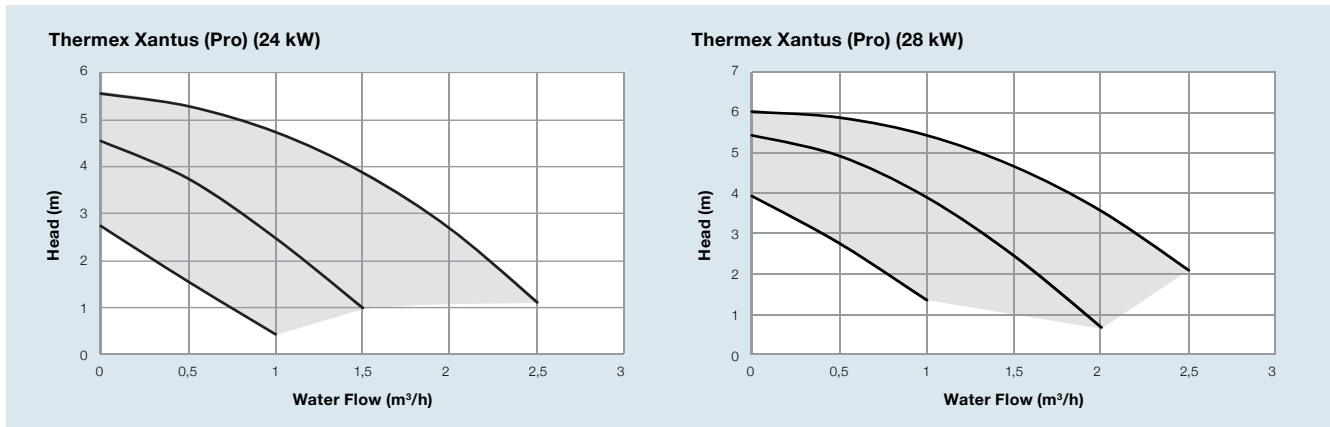




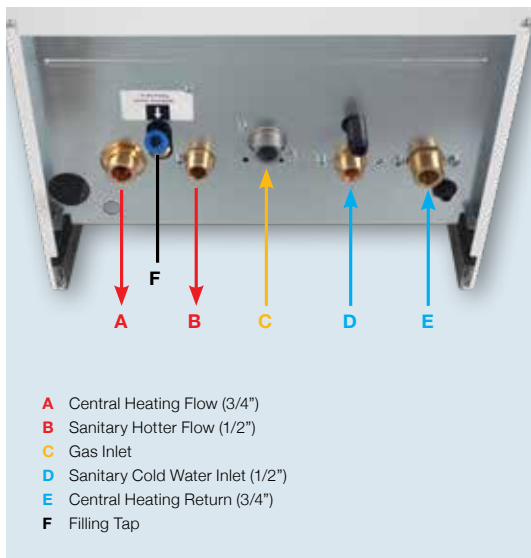
Dimensions



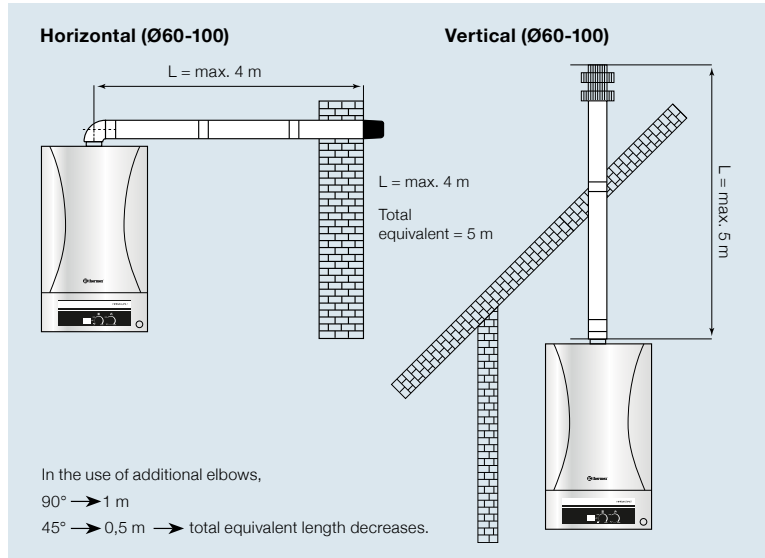
Working Diagram of Pump



Connections of Boiler



Chimney Solutions



Technical Specifications

Conventional Boiler Models	Unit	Thermex Xantus (Pro) HM 24	Thermex Xantus (Pro) HM 28
Gas Type		G20	G20
Gas Inlet Pressure (for G20)	mbar	20	20
Type		C12, C32	C12, C32
Category		I2H (G20=20 mbar)	I2H (G20=20 mbar)
Central Heating System			
Maximum Efficiency (Partial Load)	%	91,2	91,1
Central Heating Nominal Power (Max) (80-60°C)	kW	23,7	27,5
Central Heating Nominal Power (80-60°C)	kW	9,3	11,4
Central Heating Temperature Adjustment	°C	35-80	35-80
Central Heating Circuit Max. Pressure	bar	3	3
Central Heating Circuit Min. Pressure	bar	0,5	0,5
NOx Class		3	3
Gas Consumption - at Maximum Power	m³/h	2,75	3,20
Gas Consumption - at Minimum Power	m³/h	1,14	1,39
Expansion Vessel Capacity	Liter	8	8
Expansion Vessel Pre-charged Pressure	bar	1	1
Domestic Hot Water (DHW) System			
DHW Heating Power, Max	kW	23,1	27,2
DHW Heating Power, Min	kW	9,3	11,4
DHW Volume (ΔT = 30°C, Max)	l/min.	11	13
DHW Volume (ΔT = 25°C, Max)	l/min.	13,2	15,6
DHW Temperature Adjustment	°C	30-60	30-60
Maximum Operating Pressure	bar	9	9
Minimum Operating Pressure	bar	0,3	0,3
Electrical Specifications			
Power Supply Voltage	VAC	230	230
Power Supply Frequency	Hz	50	50
Power Consumption	W	140	140
Electric System Protection Grade	-	IP X4D	IP X4D
Connections to Installation			
Gas Connection	inch	3/4	3/4
Central Heating Circuit Flow / Return	inch	3/4	3/4
HDW Inlet / Outlet	inch	1/2	1/2
General Specifications			
Flue Diameter - Ø	mm	60/100	60/100
Dimensions (Height x Width x Depth), Without Package	mm	710 x 399 x 335	710 x 399 x 335
Dimensions (Height x Width x Depth), With Package	mm	760 x 430 x 392	760 x 430 x 392
Weight (Without Package)	kg	32	33
Weight (With Package)	kg	34	35

REMOTE CONTROL

With smart room thermostat you may control the temperature of your house with mobile applications from wherever you are on the world.

The **smart location** feature of HT 400 and HT 500 SET smart thermostats you may decrease the temperature of your house when you leave or increase when coming your house. Through mobile applications you may see in graphics the operating hours of your boiler, the temperature of your house and outside temperature and may get report towards the past.

You may select the best heating mode to manage the temperature of your house via 6 different modes of your Remote Controlled Digital Smart Thermostat.



ROOM THERMOSTATS

Your room thermostats control the temperature in your living area effectively to provide a comfort living.



HT 120 Digital Room Thermostat with Cable

- Up to 30% Savings in Heating Costs
- High Comfort
- Digital LCD Display
- Easy Usage
- Sensitive Temperature Measuring
- On-Off Control
- Heating Calibration
- With Wire Options
- Supplied with Thermex Brand



HT 150 Digital Room Thermostat with Cable

- Up to 30% Savings in Heating Costs
- High Comfort
- Large LCD Display
- Battery Indicator
- Easy Usage
- Sensitive Temperature Measuring
- On-Off Control
- Heating Calibration
- With Wire Options
- Supplied with Thermex Brand



HT 400 Remote Controlled Smart Digital Room Thermostat

- Control with Mobile Application
- Control Your House Temperature With Location Mode
- Past Operating and Heat Data Reports
- Daily and Weekly Program
- Weather Forecast
- 6 Different Modes Options
 - Manual Mode
 - House Mode
 - Outside Mode
 - Sleep Mode
 - Program Mode
 - Position Mode



HT 500 SET Remote Controlled Smart Digital Room Thermostat

- Temperature Adjustment via Room Thermostat
- Digital LCD Display with Backlight
- Touch Buttons
- Outside Temperature Indicator
- Battery Indicator
- Daily and Weekly Program
- Smart or Normal Wireless Room Thermostat
- 6 Different Modes Options
 - Manual Mode • House Mode
 - Outside Mode • Sleep Mode
 - Program Mode • Position Mode



Thermex İklimlendirme ve Isıtma Sistemleri Sanayi Ltd. Şti.

Factory /Head Office:

İzmir Pancar Organize Sanayi Bölgesi 7. Cadde No: 17/2 Pancar - Torbalı / İzmir - Turkey

Phone: +90 232 971 05 15 - 16 - 17 **Fax:** +90 232 971 05 18

e-mail: info@thermex.com.tr

www.thermex.com.tr

*Thermex reserves its rights to correct mistakes arising from printing and to modify product specifications without prior notice.

DEALER'S STAMP

